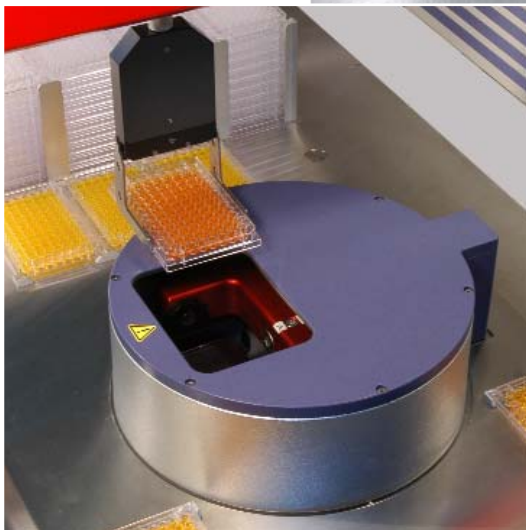


# ixion

COMPACT, MODULAR, MICROPLATE  
CENTRIFUGE DESIGNED FOR TOTAL  
ROBOTIC INTEGRATION



**Ixion is a microplate centrifuge module specially adapted for robotic access and PC-control.**

Accommodating 2 microplates, deep well plates or gel cards, its compact design facilitates complete integration into robotic sample processor units, where it is powered by 48 V and controlled via CAN or RS232 interface.

Designed with modular integration in mind, Ixion operates with minimal vibration. Advanced safety features ensure that unit stops if the rotor is unbalanced.

## INTEGRATION FEATURES

- Loading shutter opens and closes under software control
- Automated homing position to permit robotic loading and unloading
- Required power supply: 48 V
- Max. power requirement: 350 W
- Interface: CAN, RS232, software control (ASCII protocol)



## SPECIFICATIONS

### performance data

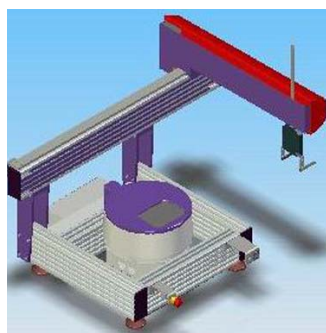
rcf	up to 2,000 g
Acceleration to full speed	approx. 2 minutes
Ramp	automatically adjusted by software
Centrifugation time	5–32,400 seconds software controlled

### capacity

Max weight	250 g per carrier
	– 2 full microplates
	– 2 deep well plates
	– 2 micro tube racks
	– gel cards

### dimensions

Module (W x D x H)	307 x 344 x 237 mm
Weight	16 kg



## SAFETY FEATURES

- A detector stops motion if the lid is not fully shut
- Automatic sensor detects imbalance, and stops centrifuge if there is excess vibration
- Fulfills safety standard IEC 1010-2-020



## OEM

Please contact Sias if you require a unit with specifications outside those shown in this brochure.

## ABOUT SIAS

Sias is a leading developer and supplier of innovative multi-tipped robotic XYZ liquid handling systems and robot friendly functional modules for Laboratory Automation.